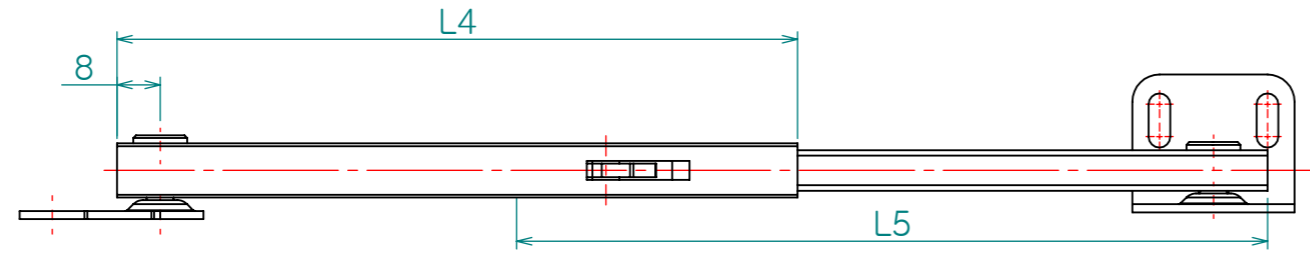
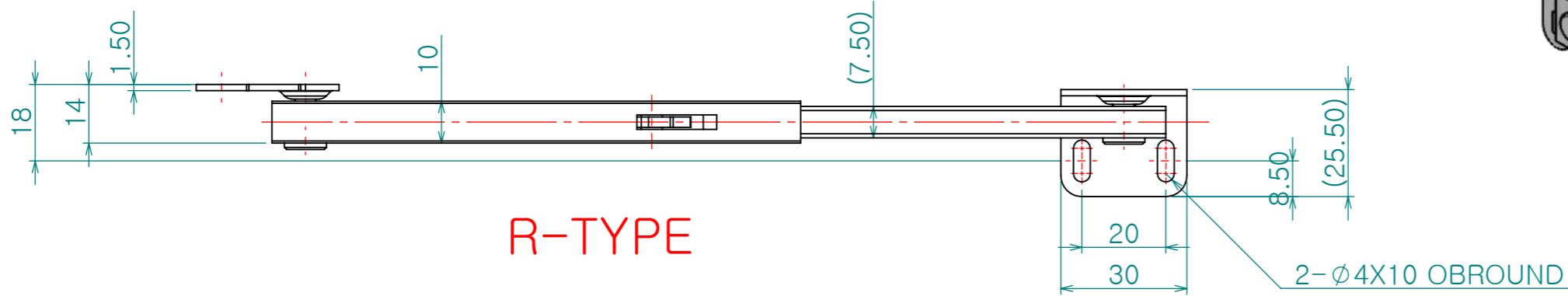


Dwg. No.

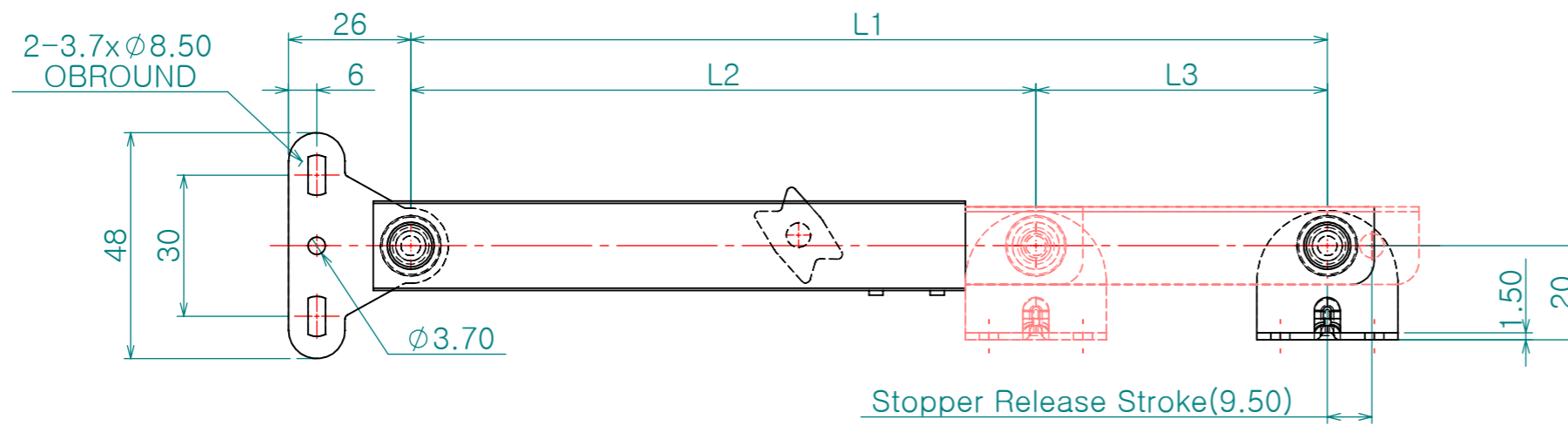
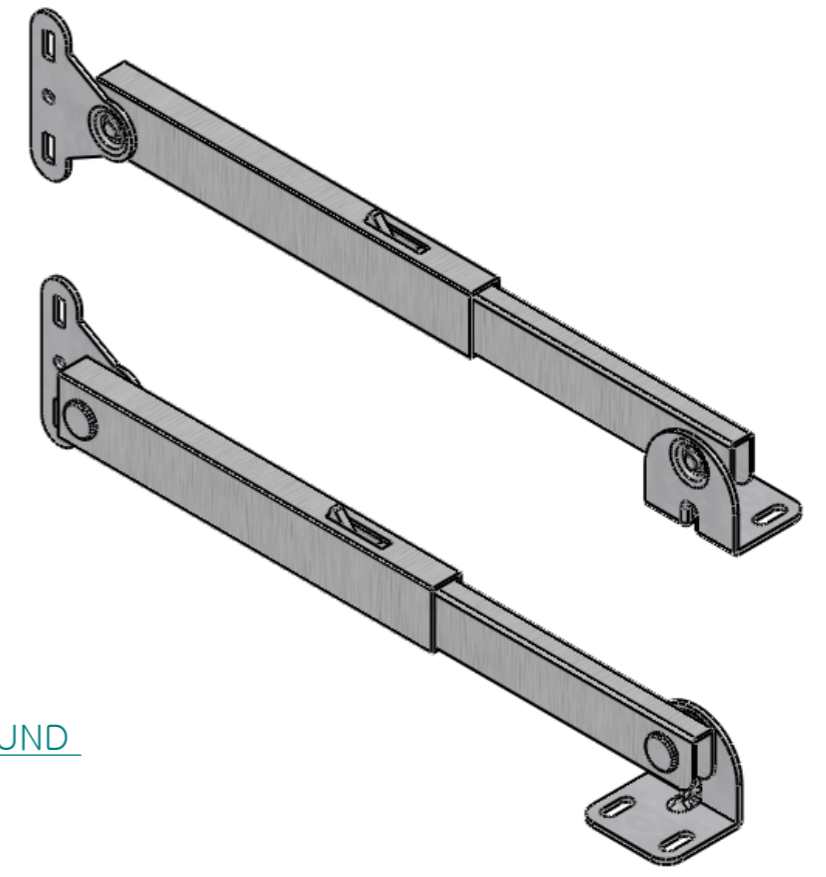
Re. No.	DESCRIPTION	DATE	DS.	CH.	AP.
△					
△					
△					



L-TYPE



R-TYPE



제품명	L1	L2	L3	L4	L5
CE- 012-1L,R	195	133	62	126	139
CE- 012-2L,R	270	170	100	163	177

Note

1. 특징 :

2. 용도 :

Dimension (mm)	Precision	Material	Dwg. No.	QTY	
0.5~3		STS304		**	
3~6	±0.05	Finish	Part Name.	Weight	
6~30	±0.1	HIARLINE	**	-	
30~120	±0.15	Revision	Sheet Size	Scale	
120~315	±0.2	-	A3	1:1.4	
315~1000	±0.3	Date	Designed by	Model No.	
1000~2000	±0.5	2010-02-23	Shin S H	CE- 012	
KS B 0412에 준함		Checked by	Approved by		