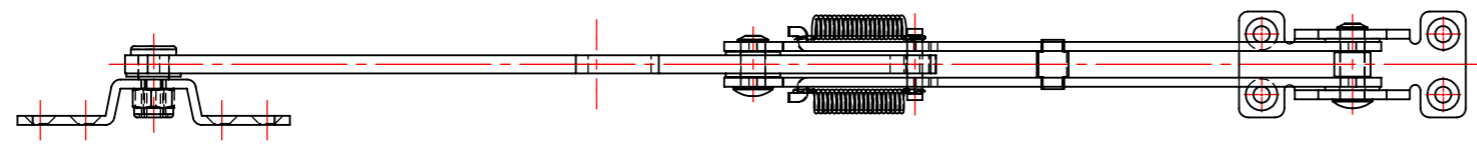
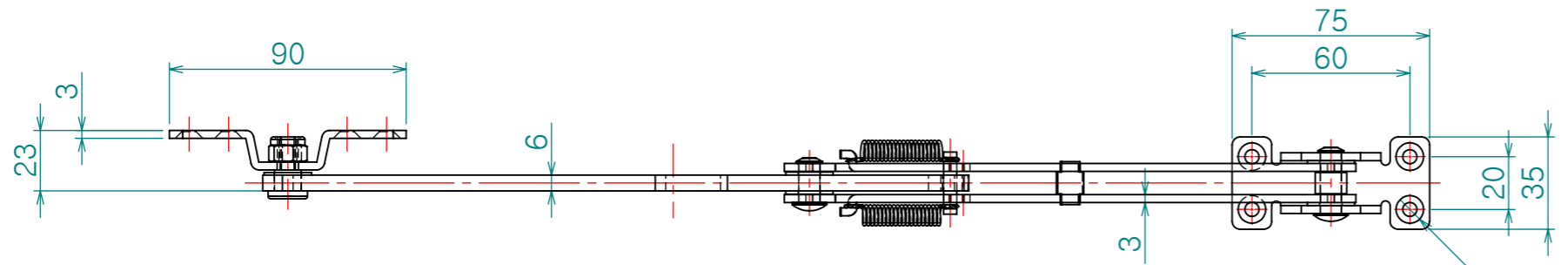
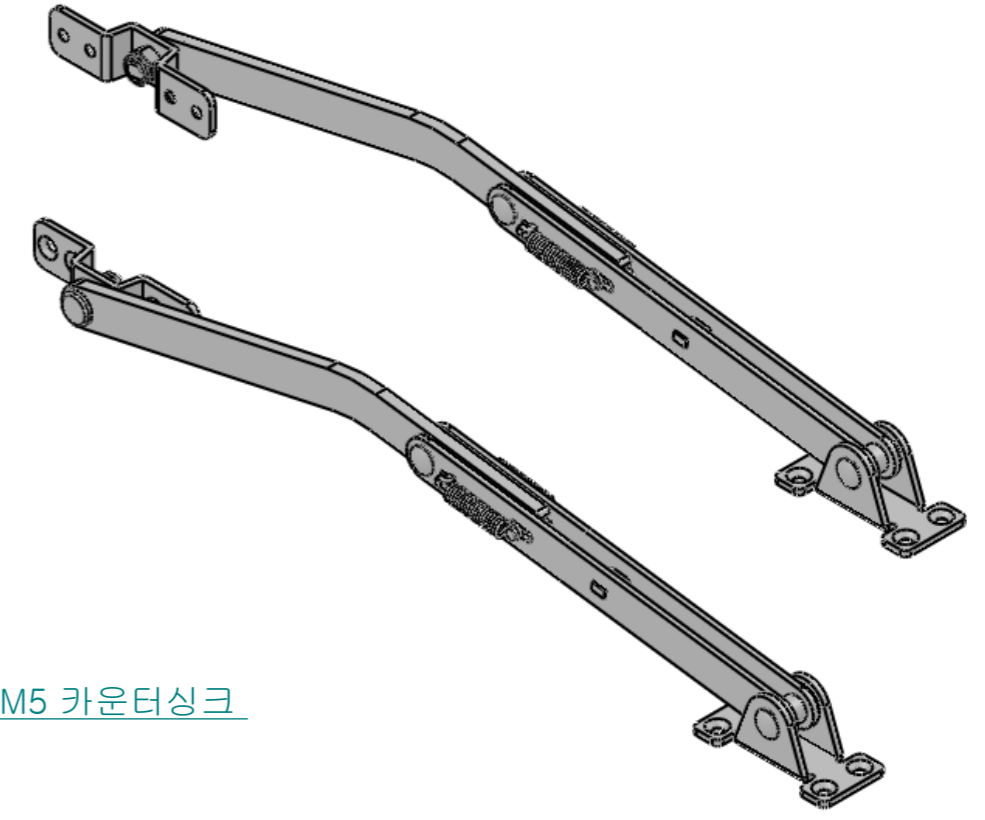


Re. No.	DESCRIPTION	DATE	DS.	CH.	AP.
△					
△					
△					

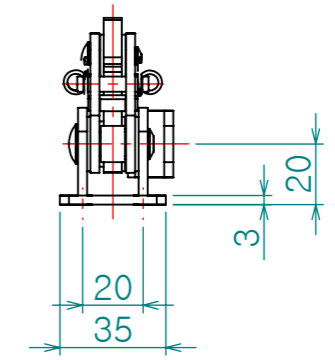
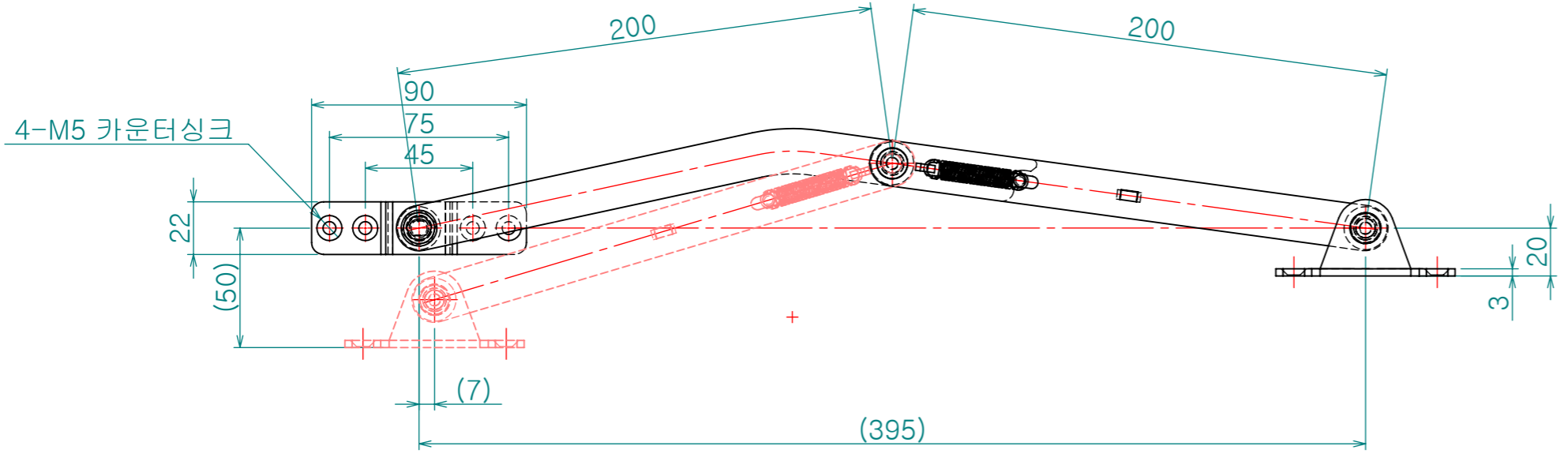


CE- 009-R



CE- 009-L

4-M5 카운터싱크



Note

- 1. 특징 :
- 2. 용도 :

Dimension (mm)	Precision	Material	Dwg. No.	QTY
0.5~3		SPCC(냉간압연강판)		**
3~6	±0.05	Finish	Part Name.	Weight
6~30	±0.1	크롬도금	S006	-
30~120	±0.15	Revision	Ass'y Name	Scale
120~315	±0.2	-	**	1:2.5
315~1000	±0.3	Date	Model No.	
1000~2000	±0.5	2010-02-11	CE- 009	
KS B 0412에 준함		Designed by	Hardware	
		Shin S H		
		Checked by		
		Approved by		