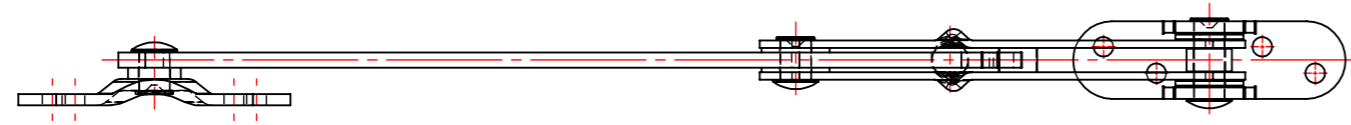
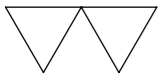
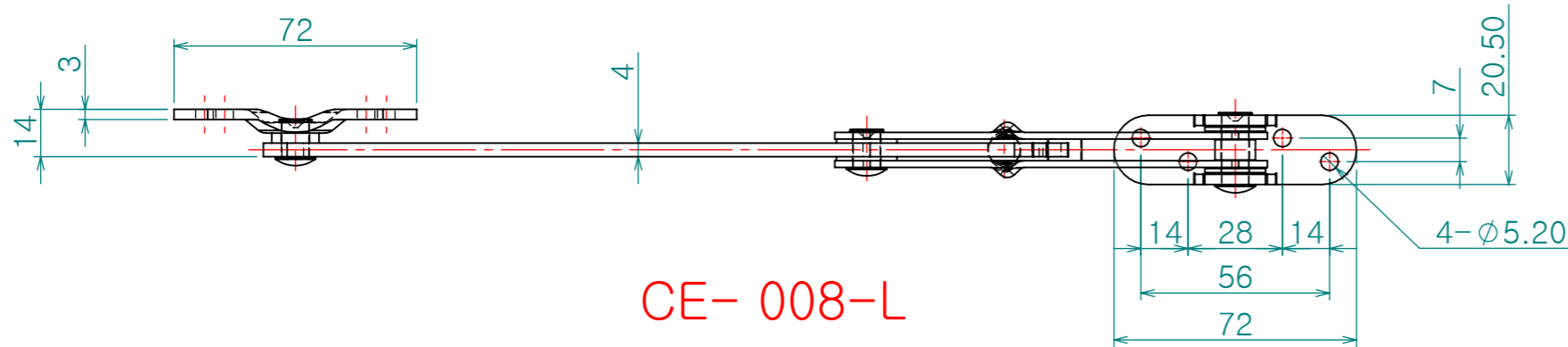


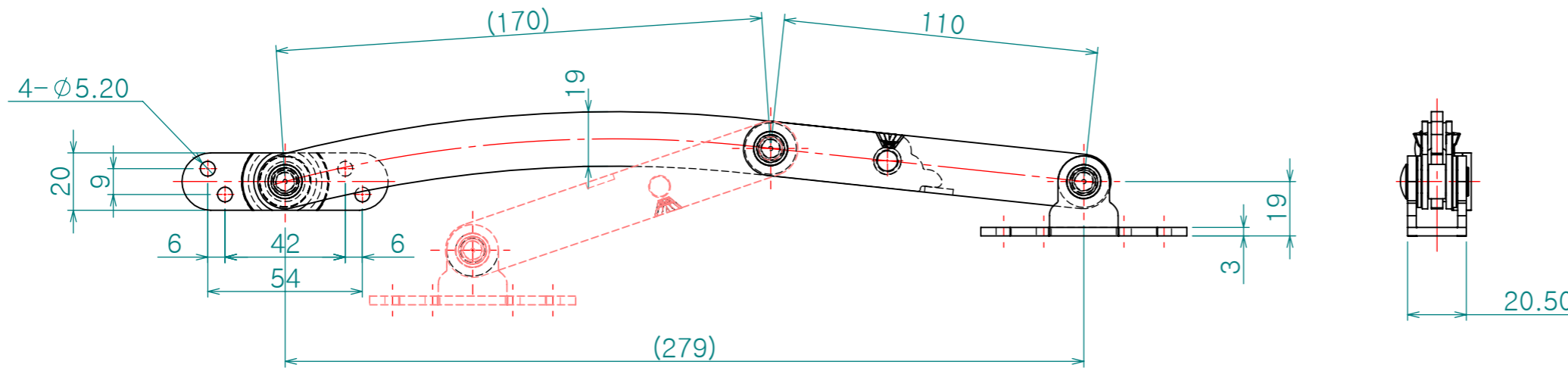
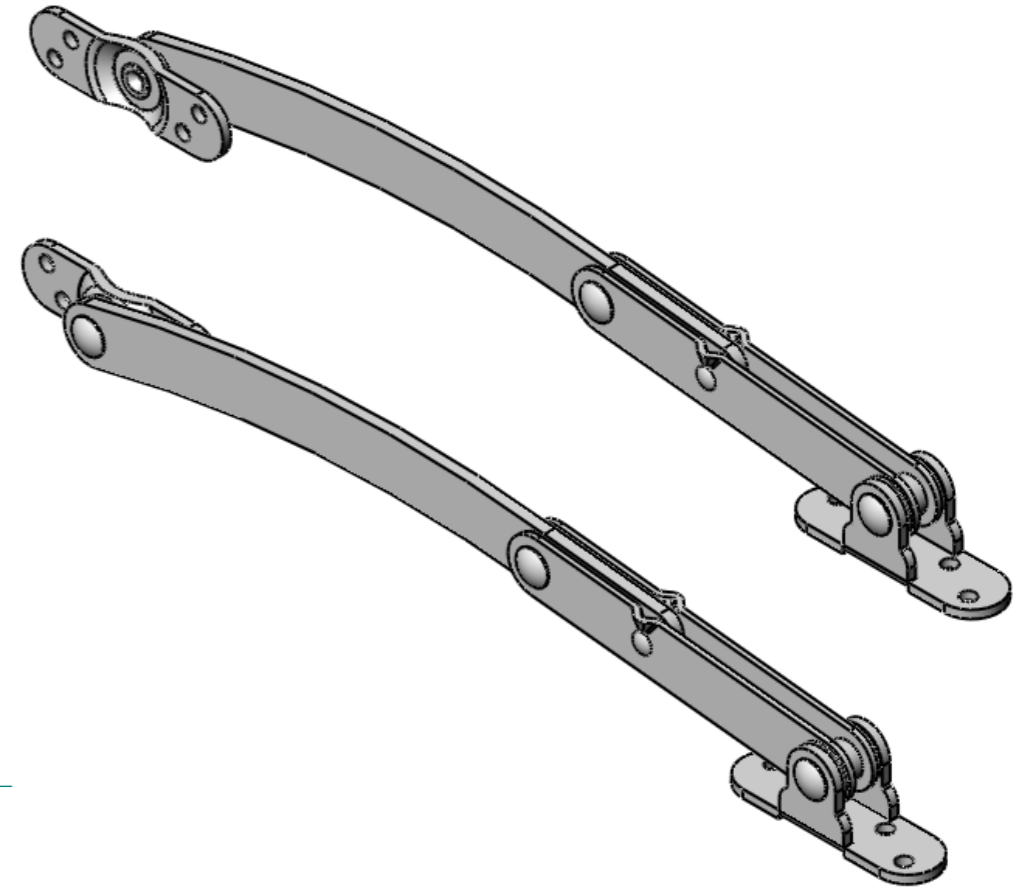
Re. No.	DESCRIPTION	DATE	DS.	CH.	AP.
△					
△					
△					



CE- 008-R



CE- 008-L



Note

- 1. 특징 :
- 2. 용도 :

Dimension (mm)	Precision	Material	Dwg. No.	QTY
0.5~3	±0.05	SPCC(냉간압연강판)	S005	**
3~6		Finish		Part Name.
6~30	±0.1	크롬도금	S005	-
30~120	±0.15	Revision	Sheet Size	Scale
120~315	±0.2	-	A3	1:2
315~1000	±0.3	Date	Designed by	
1000~2000	±0.5	2010-05-29	Shin S H	
KS B 0412에 준함		Checked by	Approved by	
			Model No.	
			CE- 008	