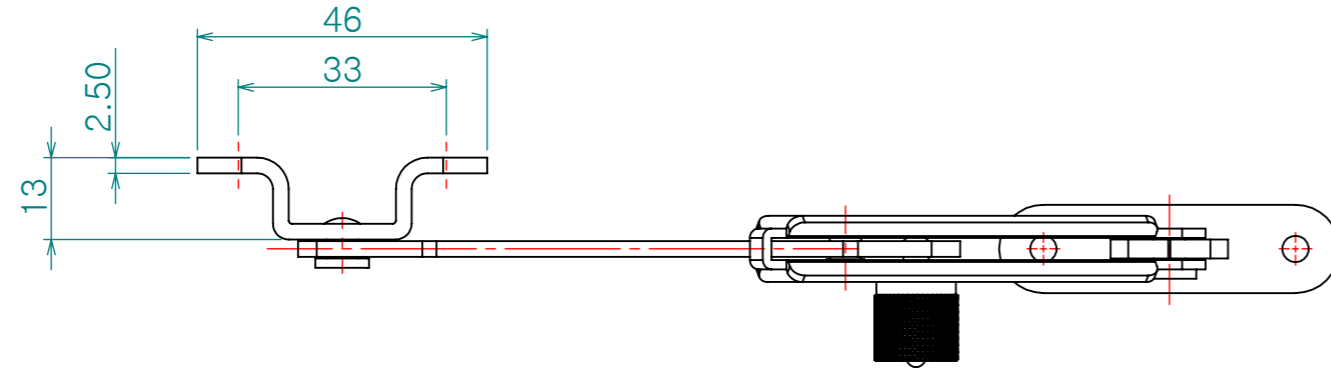
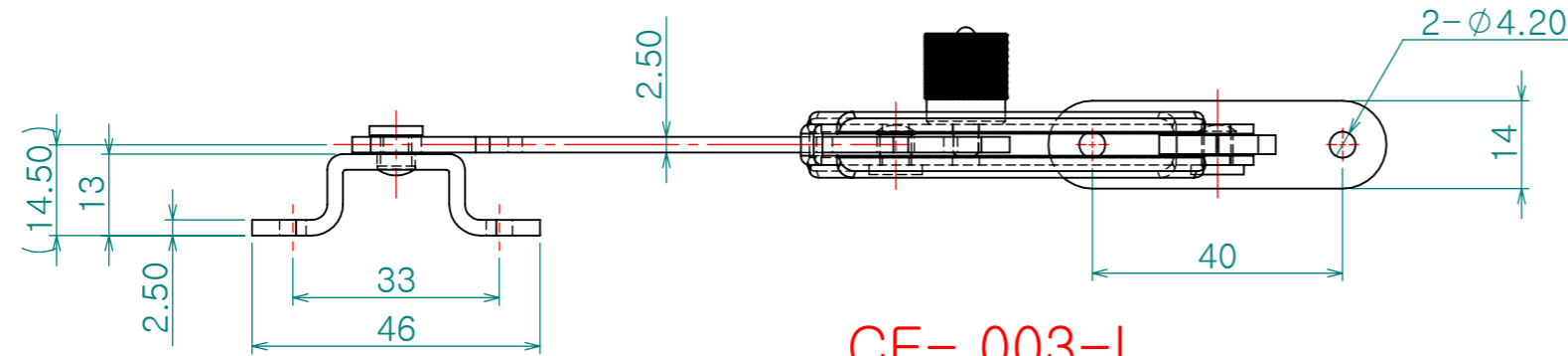


Dwg. No.

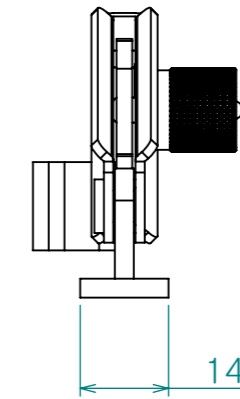
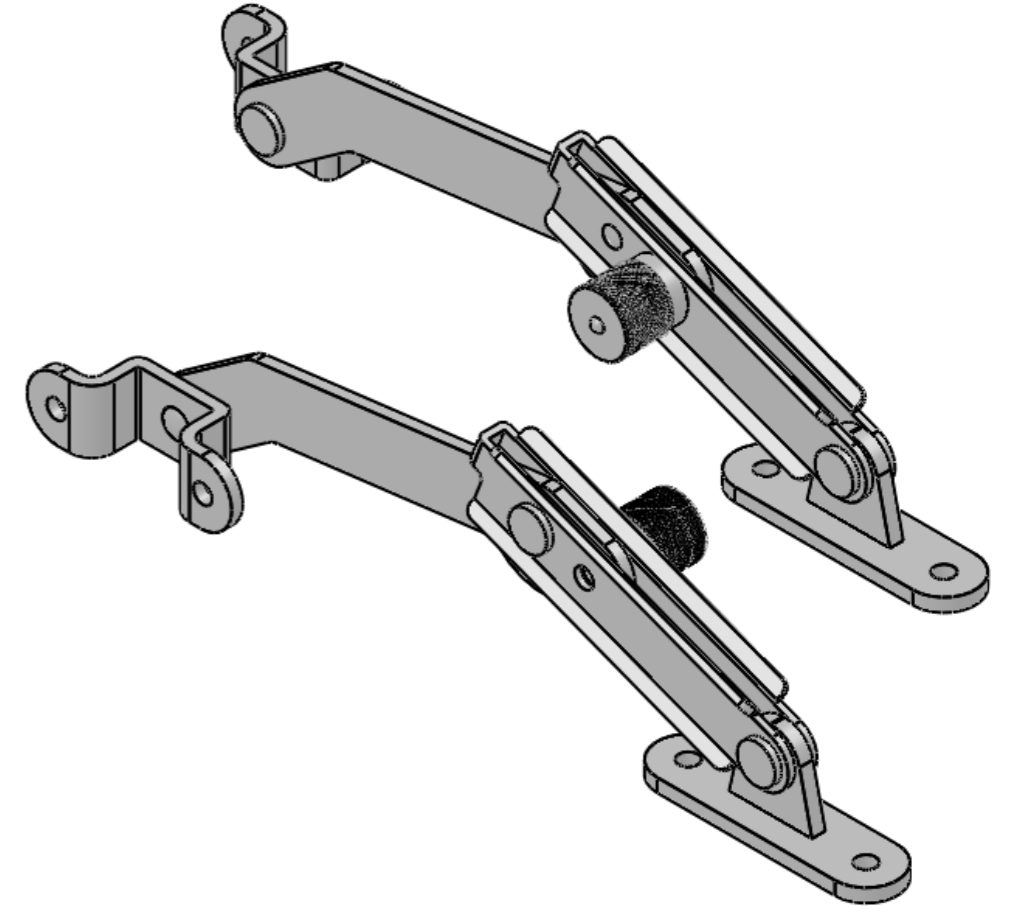
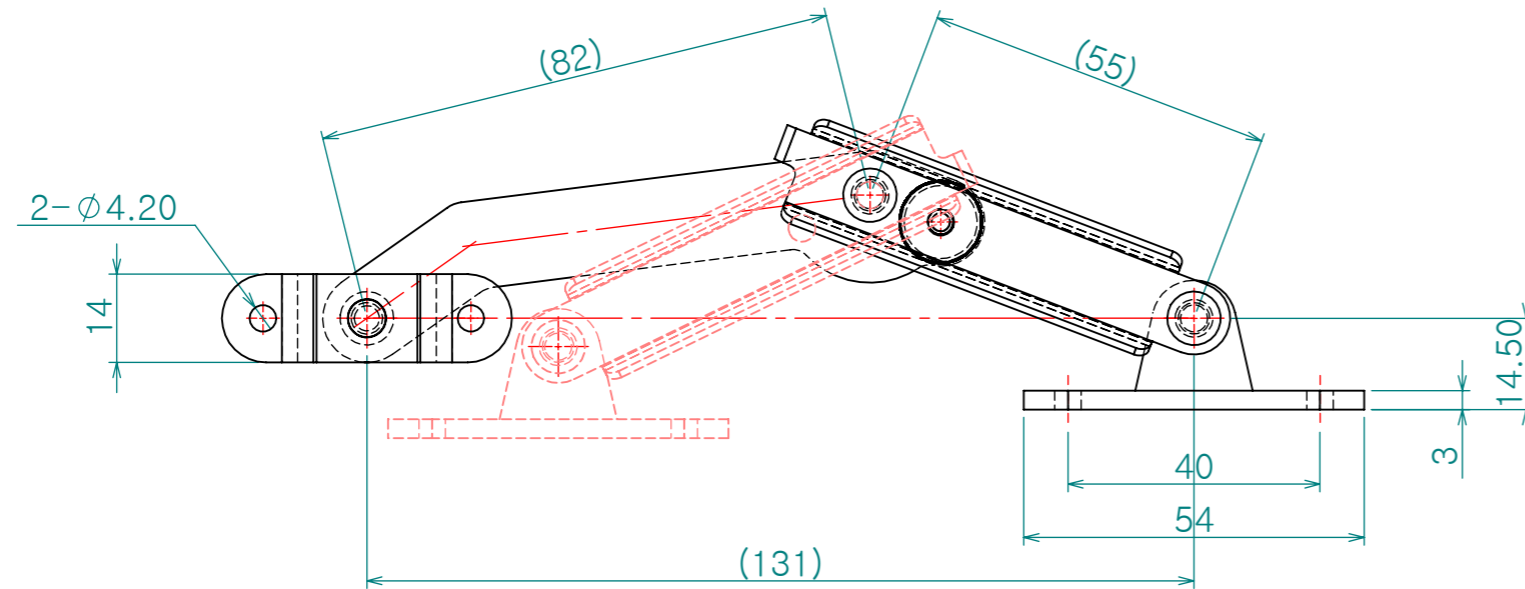
Re. No.	DESCRIPTION	DATE	DS.	CH.	AP.
△					
△					
△					



CE- 003-R



CE- 003-L



Note

- 1. 특징 :
- 2. 용도 :

Dimension (mm)	Precision	Material	Dwg. No.	QTY
0.5~3		STS304		**
3~6	±0.05	Finish	Part Name.	Weight
6~30	±0.1	바렐연마	노브타입 스테이	-
30~120	±0.15	Revision	Ass'y Name	Scale
120~315	±0.2	-	**	1:1.2
315~1000	±0.3	Date	Model No.	
1000~2000	±0.5	2010-07-08	CE- 003-L,R	
KS B 0412에 준함		Designed by		
		Shin S H		
		Checked by		
		Approved by		