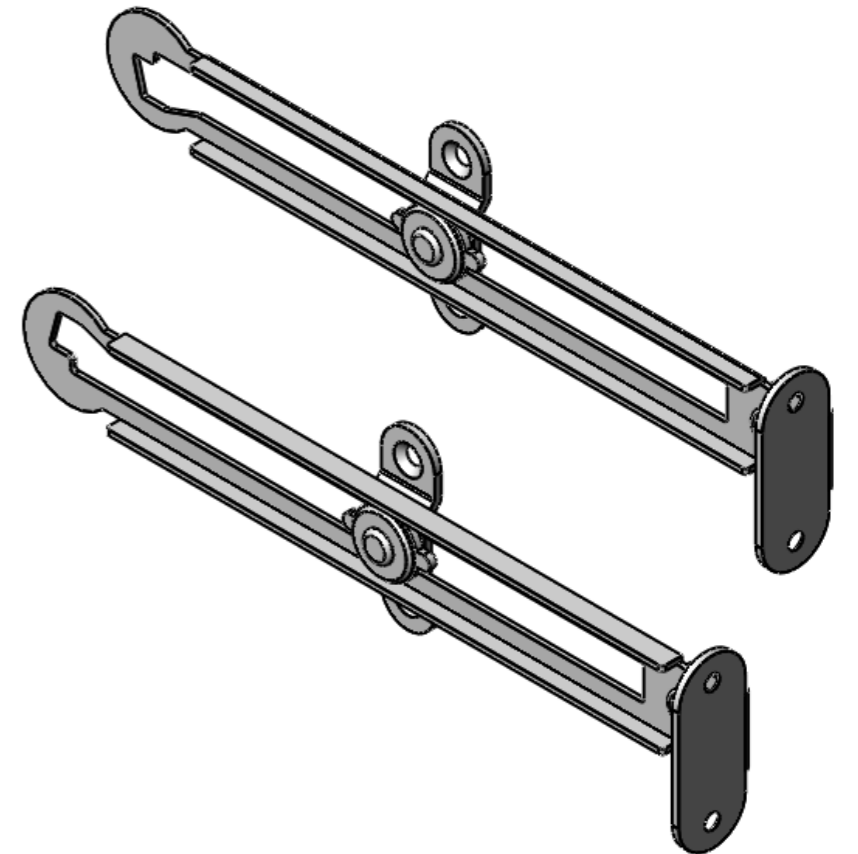
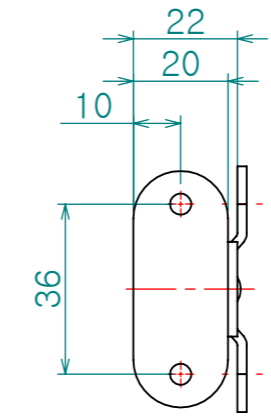
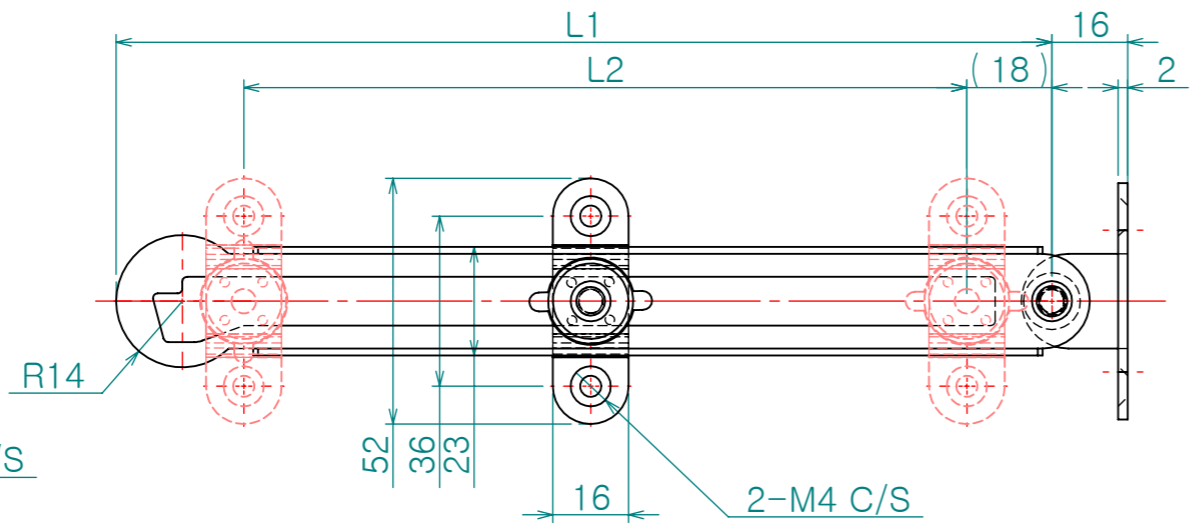
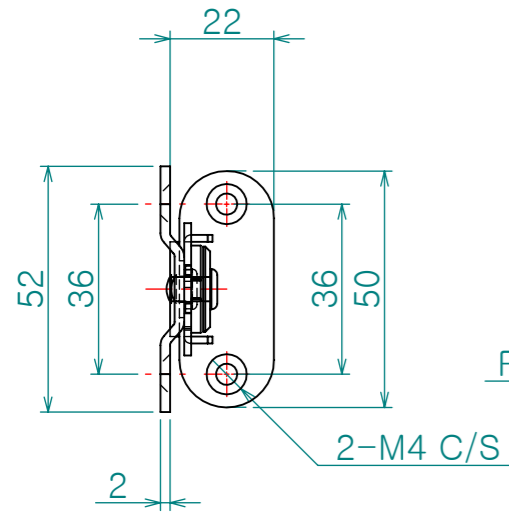
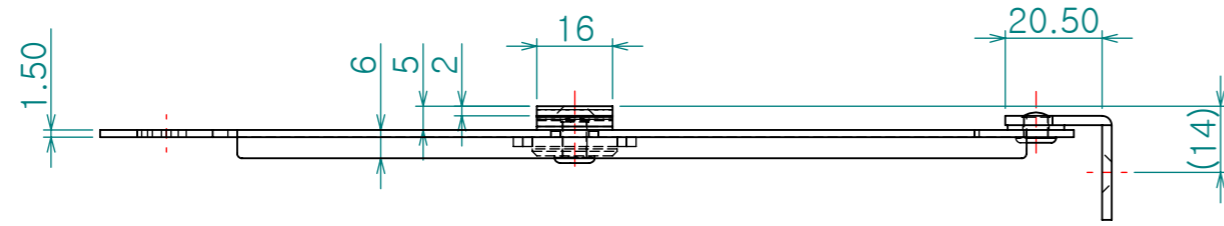
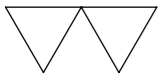
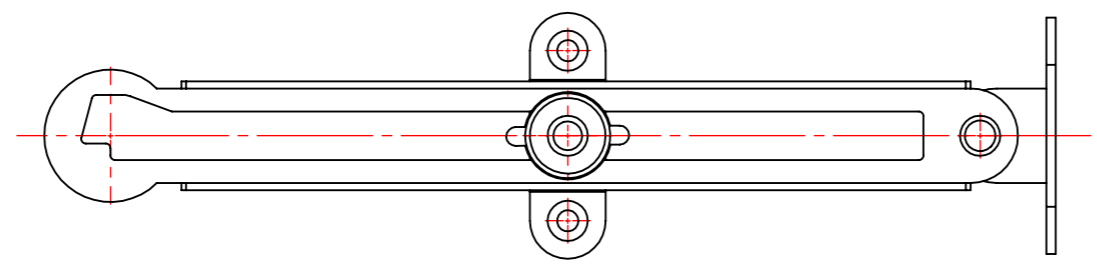


Re. No.	DESCRIPTION	DATE	DS.	CH.	AP.
△					
△					
△					



R-TYPE



L-TYPE

제품명	L1	L2
CE- 001-3L,R	276	230
CE- 001-2L,R	198	153
CE- 001-1L,R	150	105

Note

- 특징 :
- 용도 :

Dimension (mm)	Precision	Material	Dwg. No.	QTY	
0.5~3	±0.05	STS304	Part Name.	**	
3~6		Finish		원터치 스테이	Weight
6~30	±0.1	바렐연마	Ass'y Name	-	
30~120	±0.15	Revision	**	Scale	
120~315	±0.2	-	A3	1:1.6	
315~1000	±0.3	Date	Designed by	Model No.	
1000~2000	±0.5	2011-06-30	Shin S H		CE- 001
KS B 0412에 준함		Checked by	Approved by	Hardware	