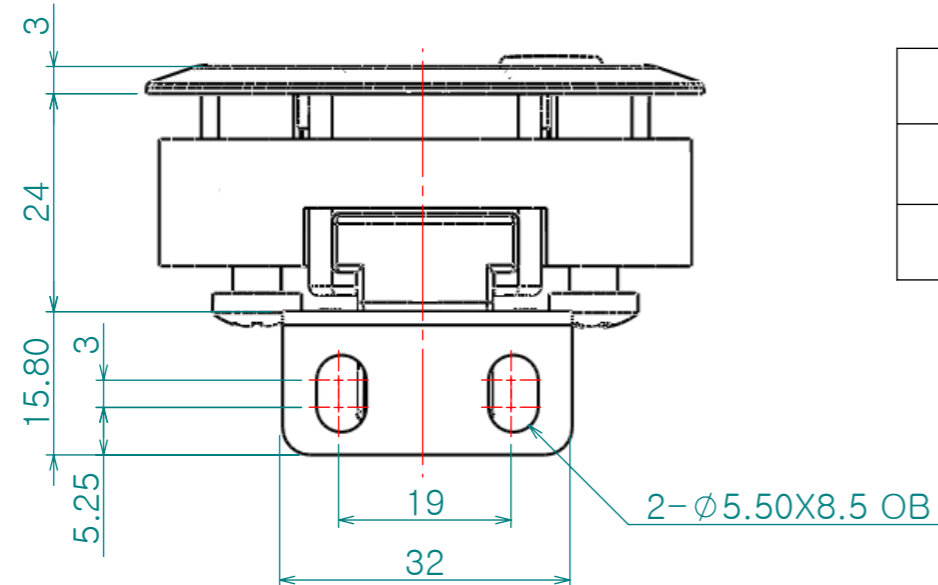
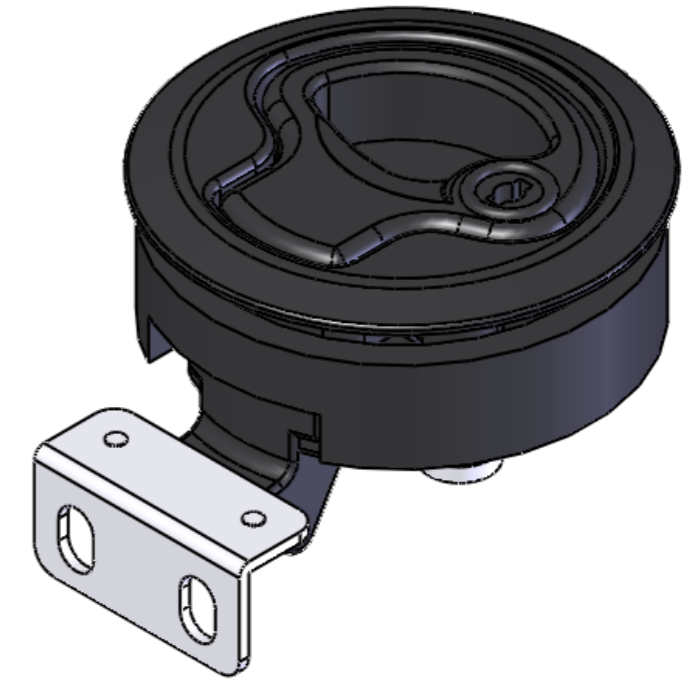
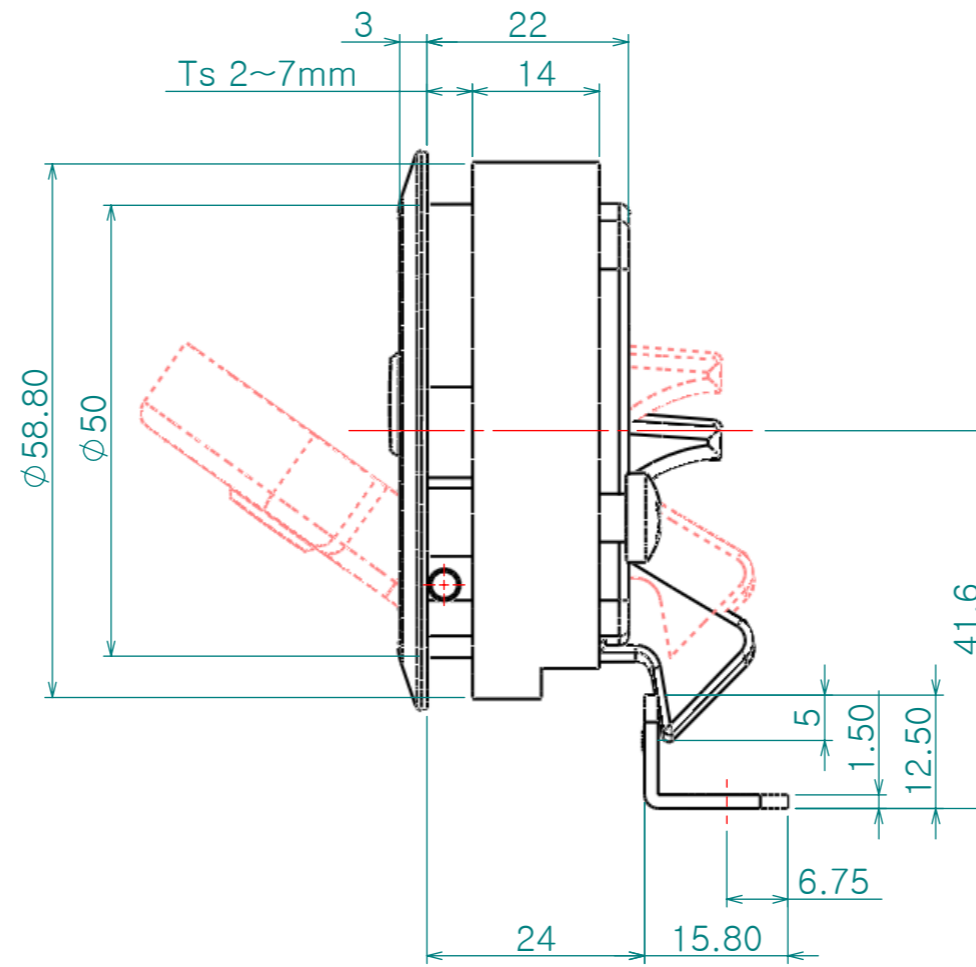
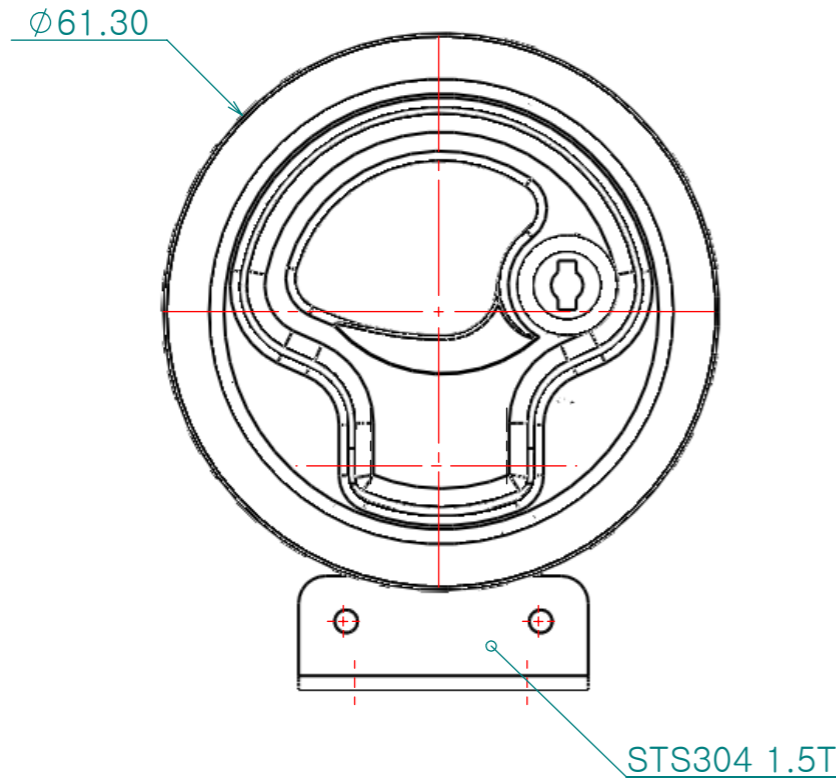
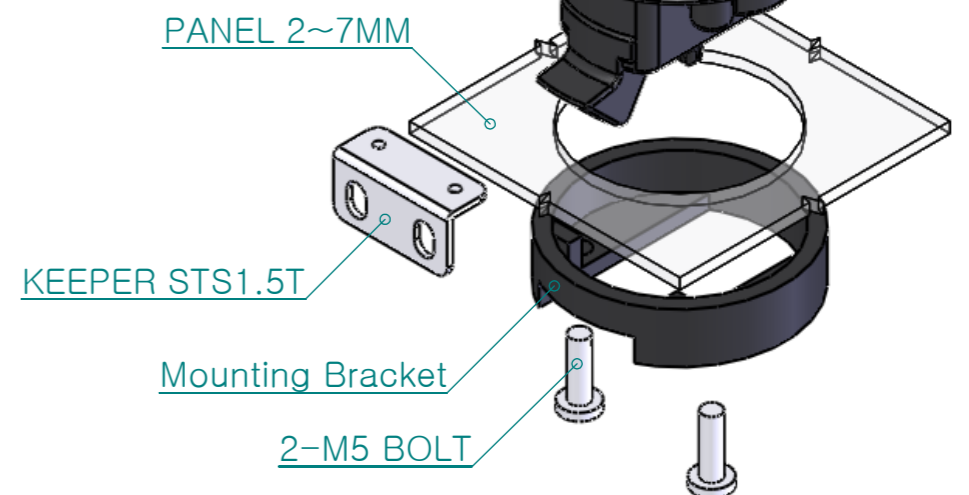


Re. No.	DESCRIPTION	DATE	DS.	CH.	AP.
△					
△					
△					



제품명	재질
CC-1018P	POLYCARBONATE
CC-1018S	STS316 주조



- Note
- 특징 :
 - 용도 :

Dimension (mm)	Precision	Material	Dwg. No.	QTY
0.5~3	±0.05	POLYCARBONATE	Part Name.	Weight
3~6				
6~30	±0.1	블랙	Ass'y Name	Scale
30~120	±0.15			
120~315	±0.2	Revision	Sheet Size	1.2:1
		-	A3	
315~1000	±0.3	Date	Designed by	Model No.
1000~2000	±0.5	2010-05-11	Shin S H	
KS B 0412에 준함		Checked by	Approved by	CC-1018
			Hardware	