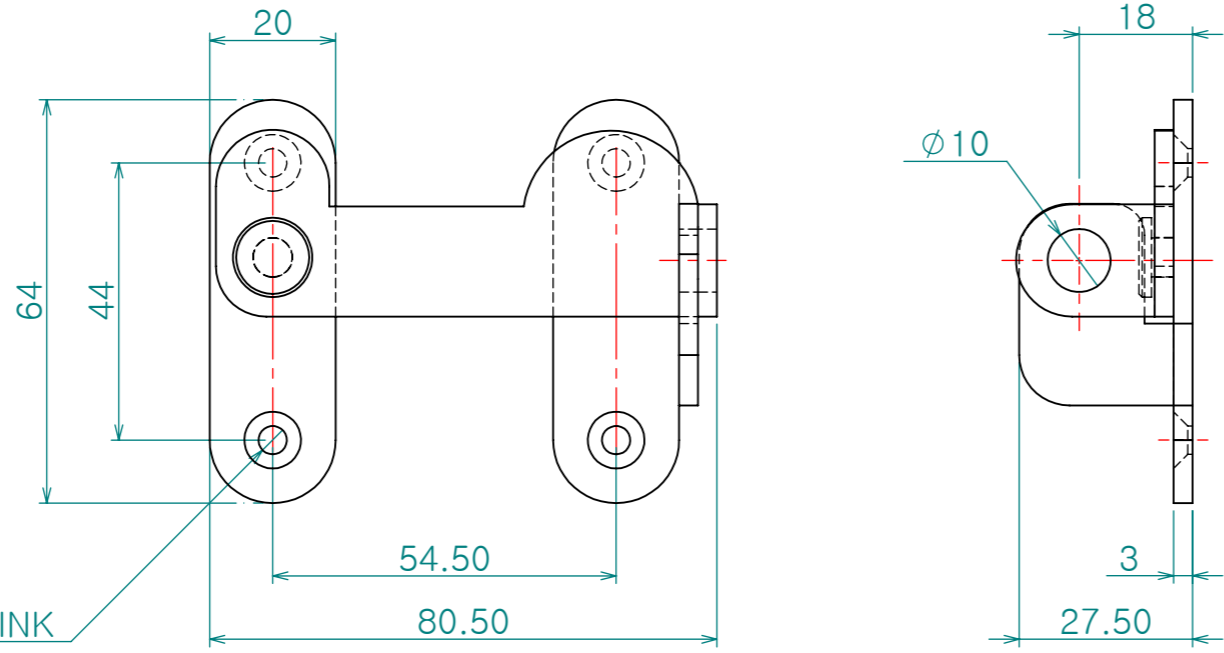
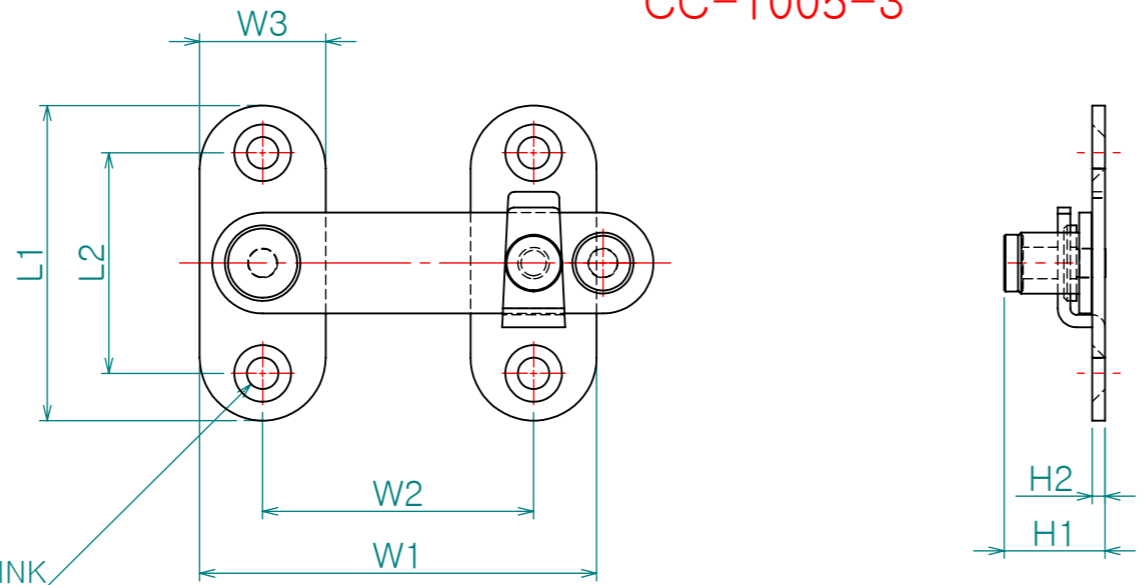
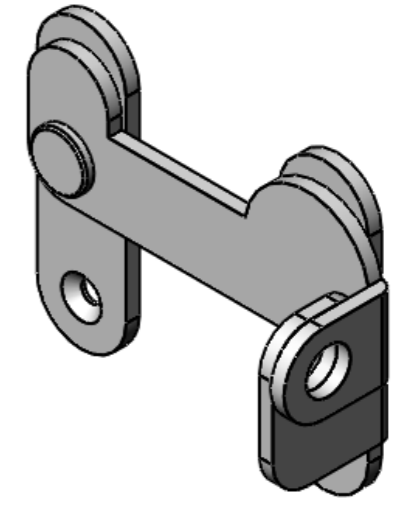


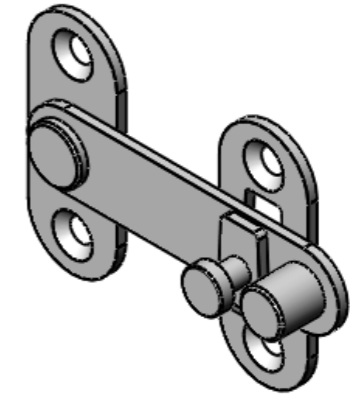
Re. No.	DESCRIPTION	DATE	DS.	CH.	AP.
△					
△					
△					



CC-1005-3



CC-1005-1,2



제품명	L1	L2	W1	W2	W3	H1	H2
CC-1005-1	40	29	45	30	15	13.5	2
CC-1005-2	50	35	63	43	20	16	2
CC-1005-3	64	44	80.5	54.5	20	27.5	3

Note

- 1. 특징 :
- 2. 용도 :

Dimension (mm)	Precision	Material	Dwg. No.	QTY
0.5~3	±0.05	ST304	Part Name. 판고리	Weight
3~6		Finish		-
6~30	±0.1	바렐연마	Ass'y Name	Scale
30~120	±0.15	Revision	**	1:1.2
120~315	±0.2	Date	Model No.	
315~1000	±0.3	2010-06-30	CC-1005	
1000~2000	±0.5	Designed by Shin S H	Sheet Size	
KS B 0412에 준함		Checked by	A3	
		Approved by		