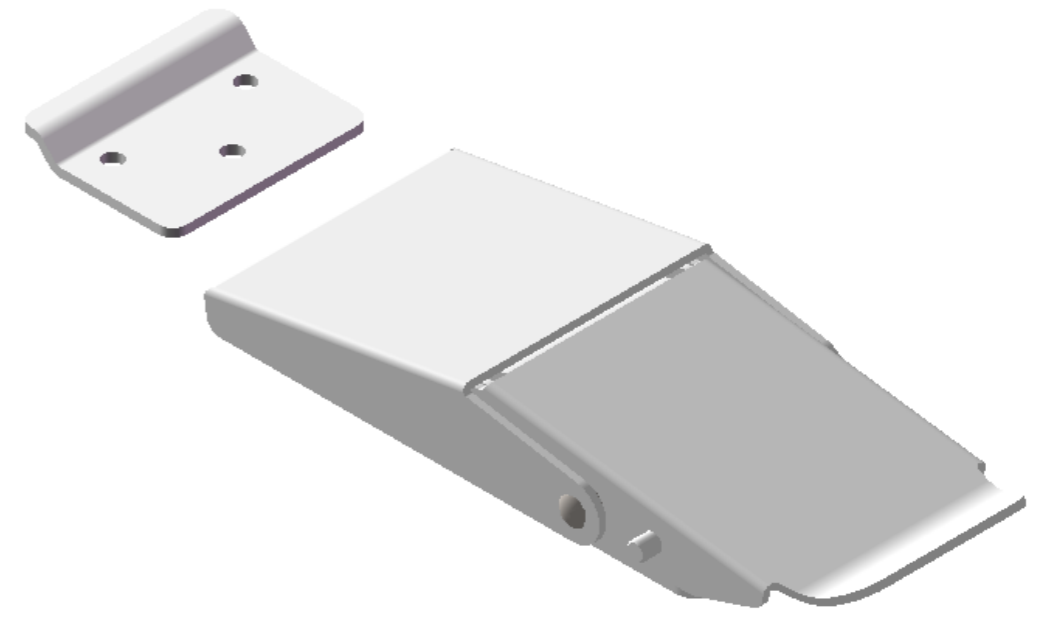
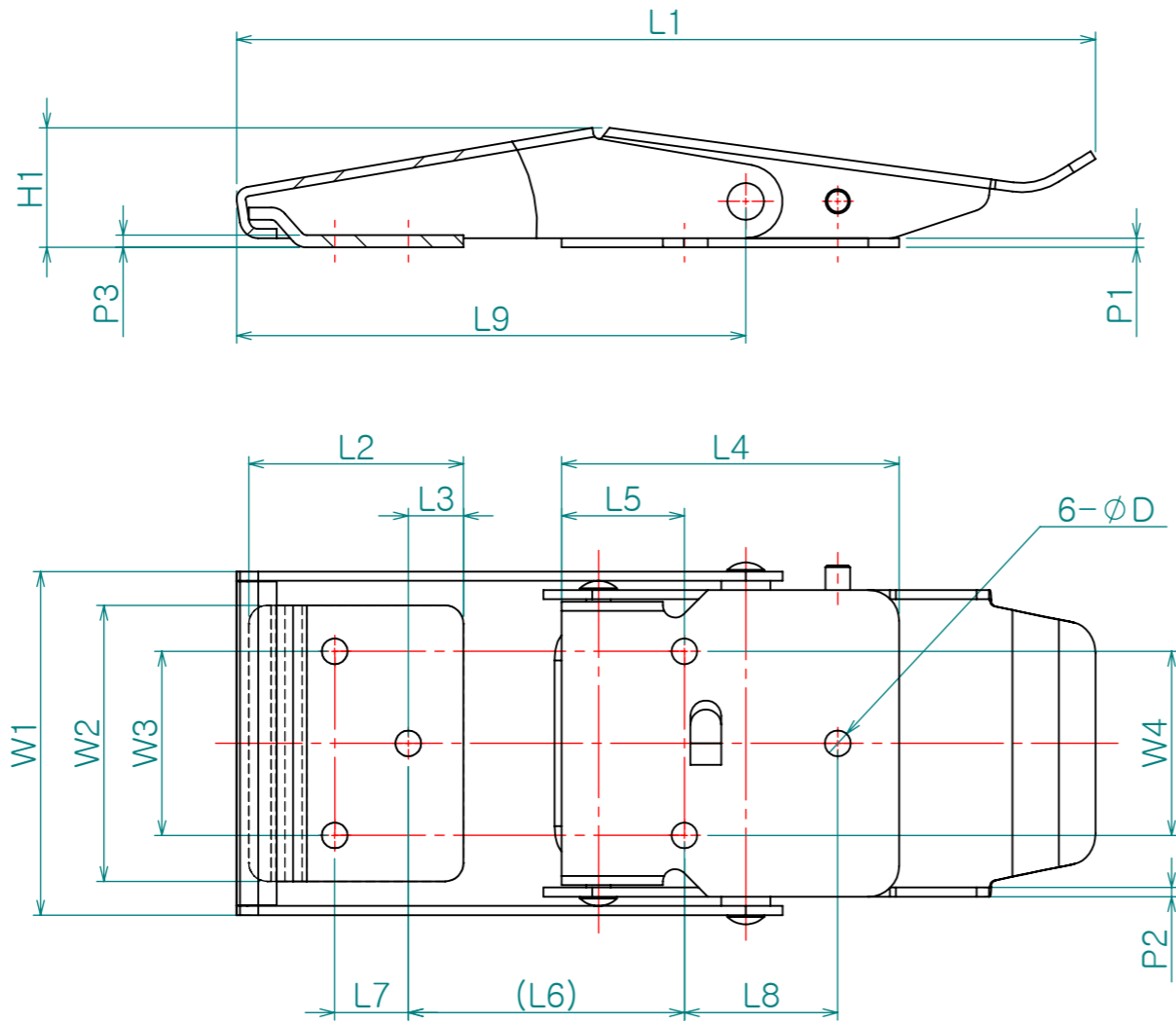


| Re. No. | DESCRIPTION | DATE | DS. | CH. | AP. |
|---------|-------------|------|-----|-----|-----|
| △ | | | | | |
| △ | | | | | |
| △ | | | | | |



| 제품명 | L1 | L2 | L3 | L4 | L5 | L6 | L7 | L8 | L9 | W1 | W2 | W3 | W4 | H1 | P1 | P2 | P3 | N-∅D |
|-----------|------|------|-----|------|------|--------|----|----|------|----|------|----|------|------|-----|-----|-----|--------|
| CC-1002-1 | 53.4 | 13.4 | 5 | 23.6 | 17.3 | (26) | - | - | 35.2 | 20 | 15.6 | 9 | - | 9.5 | 0.8 | 0.8 | 0.8 | 4-3.2∅ |
| CC-1002-2 | 75 | 18.5 | 4.5 | 30 | 14.5 | (26.5) | 5 | 11 | 46 | 30 | 24 | 16 | 15.5 | 12.5 | 1.2 | 1.0 | 1.2 | 6-4.2∅ |
| CC-1002-3 | 100 | 26 | 5.5 | 39 | 14 | (29) | 10 | 18 | 61 | 40 | 30 | 20 | 20 | 15 | 1.5 | 1.2 | 1.5 | 6-4.2∅ |
| CC-1002-4 | 140 | 35 | 9 | 55 | 20 | (45) | 12 | 25 | 83 | 56 | 45 | 30 | 30 | 19.5 | 1.5 | 1.5 | 2 | 6-4.2∅ |

Note

- 1. 특징 :
- 2. 용도 :

| | | | | |
|----------------|-----------|-------------|------------|--------|
| Dimension (mm) | Precision | Material | Dwg. No. | QTY |
| 0.5~3 | | SUS304 | | ** |
| 3~6 | ±0.05 | Finish | Part Name. | Weight |
| 6~30 | ±0.1 | HAIRLINE | C002 | - |
| 30~120 | ±0.15 | Revision | Ass'y Name | Scale |
| 120~315 | ±0.2 | - | ** | 1:1.2 |
| 315~1000 | ±0.3 | Date | Model No. | |
| 1000~2000 | ±0.5 | 2010-03-02 | CC-1002 | |
| KS B 0412에 준함 | | Checked by | | |
| | | Designed by | | |
| | | Shin S H | | |
| | | Approved by | | |