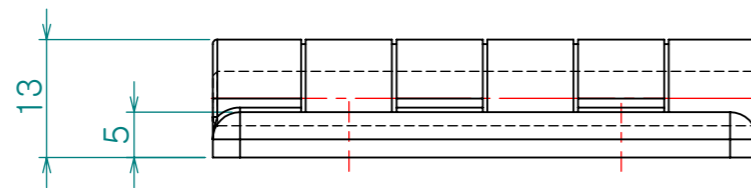
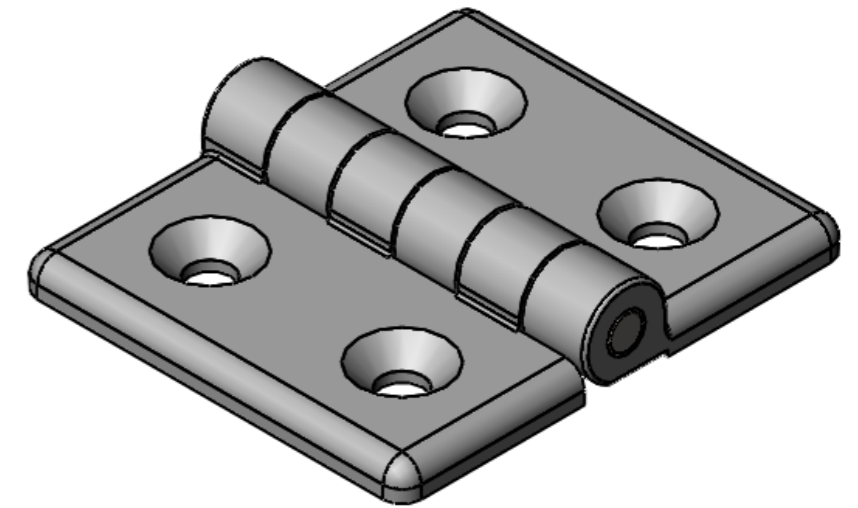
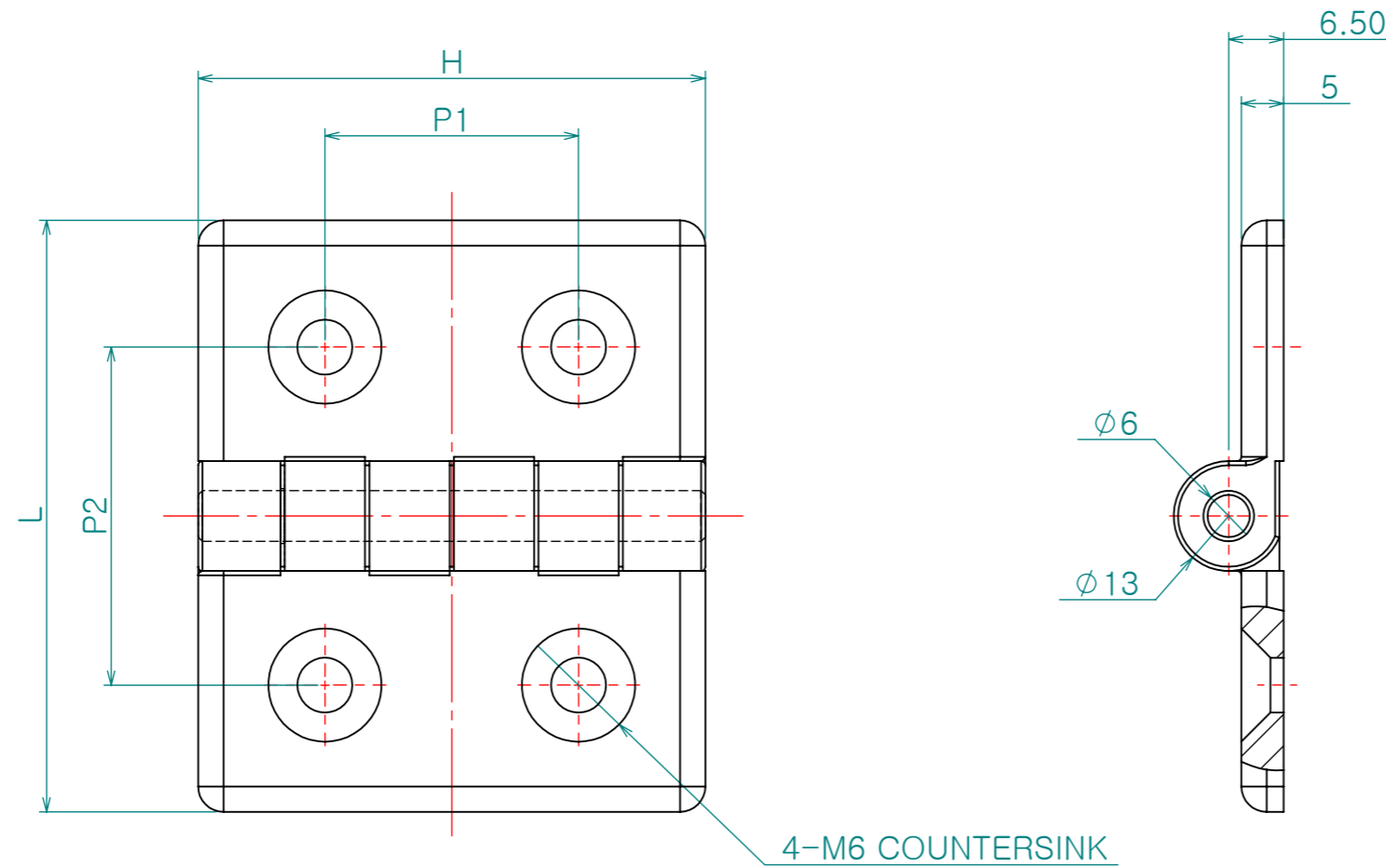


Re. No.	DESCRIPTION	DATE	DS.	CH.	AP.
△					
△					
△					



제품명	L	H	P1	P2
CH-029-1	60	60	30	30
CH-029-2	70	60	30	40

Note

1. 특징 :
2. 용도 :

Dimension (mm)	Precision	Material	Dwg. No.	QTY
0.5~3	±0.05	ST5 주조	Part Name.	**
3~6		광택연마		**
6~30	±0.1	Revision	Sheet Size	-
30~120	±0.15	-	A3	Scale
120~315	±0.2	Date	Designed by	1.2:1
315~1000	±0.3	2010-08-10	Shin S H	Model No.
1000~2000	±0.5	Checked by	Approved by	
KS B 0412에 준함				