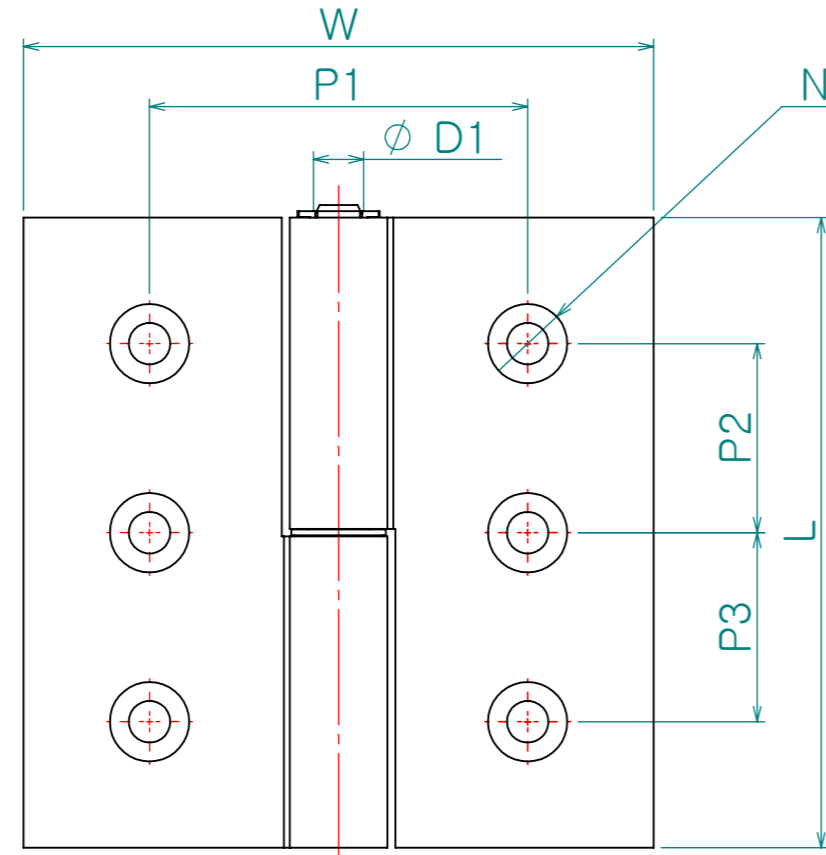
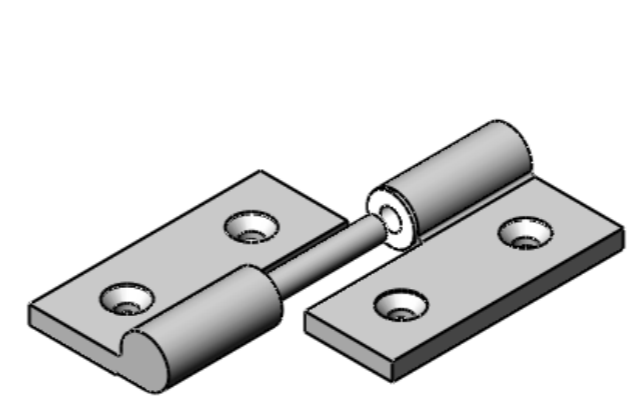


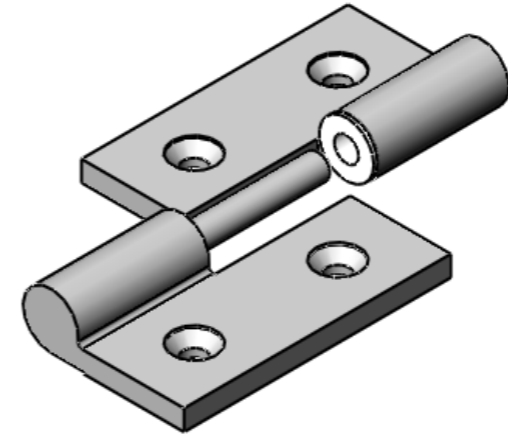
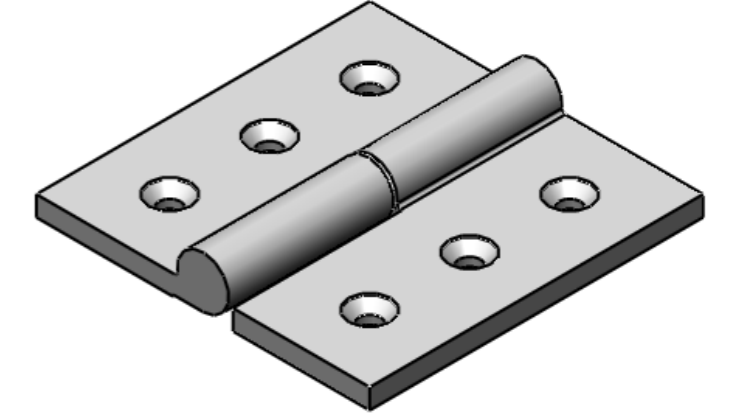
Re. No.	DESCRIPTION	DATE	DS.	CH.	AP.
△					
△					
△					



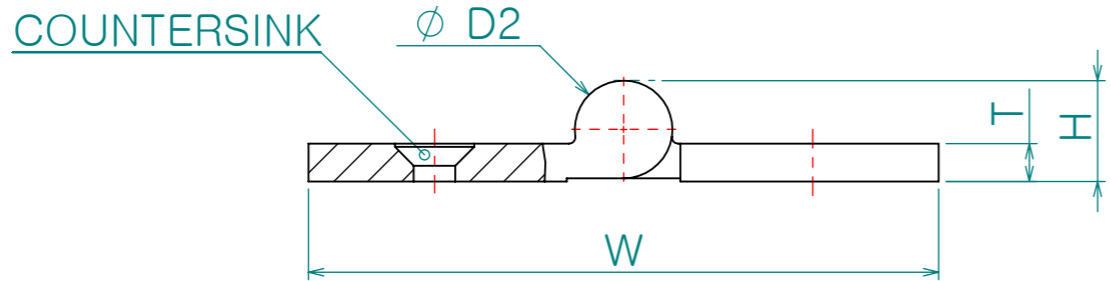
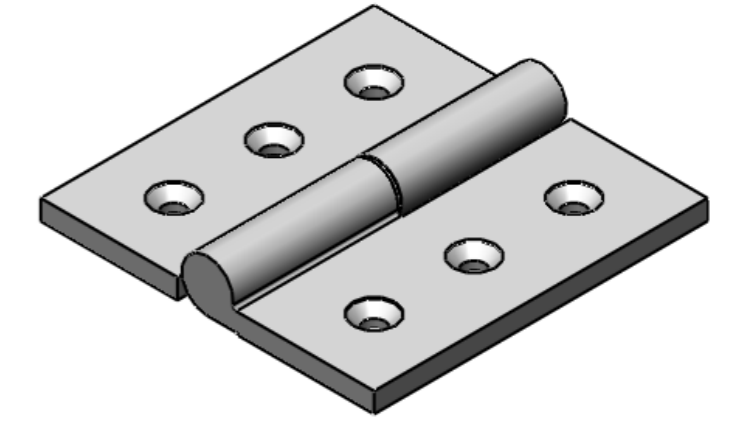
N-M COUNTERSINK



※ L TYPE



※ R TYPE



COUNTERSINK

제품명	L	W	P1	P2	P3	T	H	Ø D1	Ø D2	N-M
CH- 026-01L, R	50	50	35	20	-	5	14	6	13.5	4-4
CH- 026-02L, R	65	65	40	35	-	5	14	6	13.5	4-5
CH- 026-03L, R	75	75	50	40	-	6	16	8	15.5	4-6
CH- 026-04L, R	100	100	60	30	30	6	16	8	15.5	6-6

Note

- 특징 :
- 용도 :

Dimension (mm)	Precision	Material	Dwg. No.	QTY
0.5~3		STS304		**
3~6	±0.05	Finish	Part Name.	Weight
6~30	±0.1	광택연마	**	-
30~120	±0.15	Revision	Ass'y Name	Scale
120~315	±0.2	-	**	1:1.2
315~1000	±0.3	Date	Model No.	
1000~2000	±0.5	2010-06-04	CH- 026	
KS B 0412에 준함		Designed by		
		Shin S H		
		Checked by		
		Approved by		