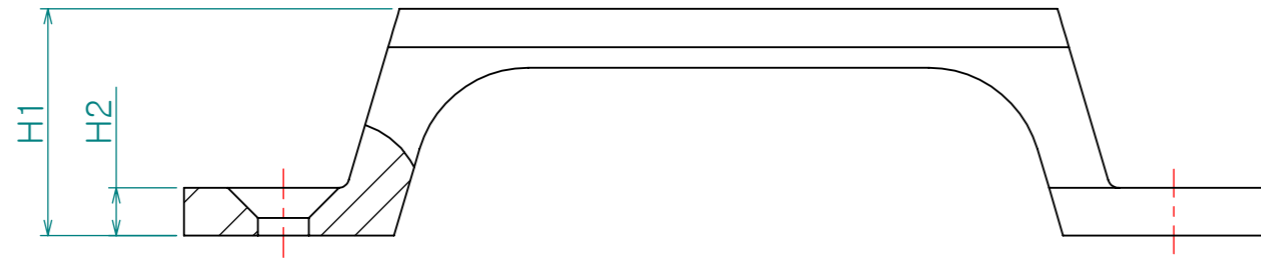
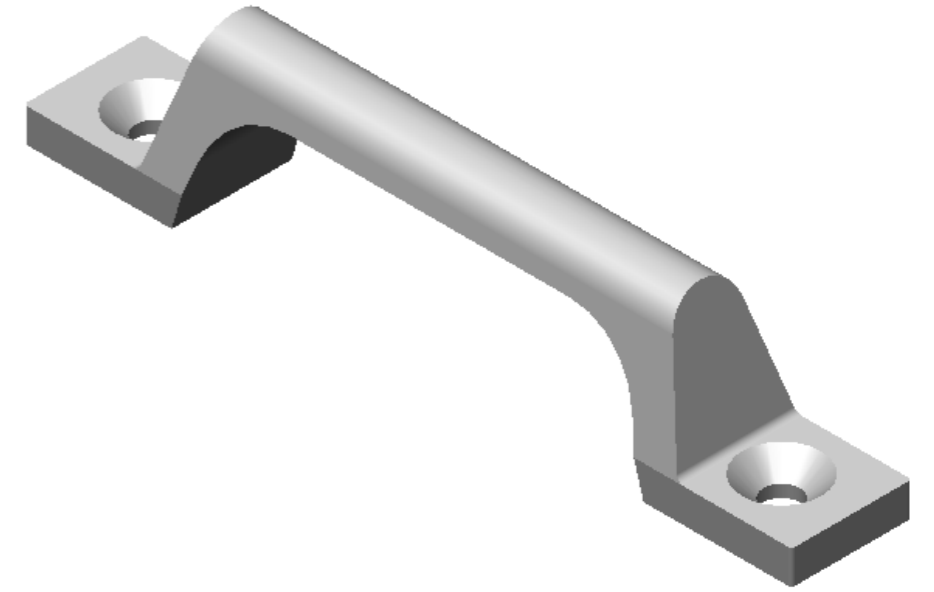
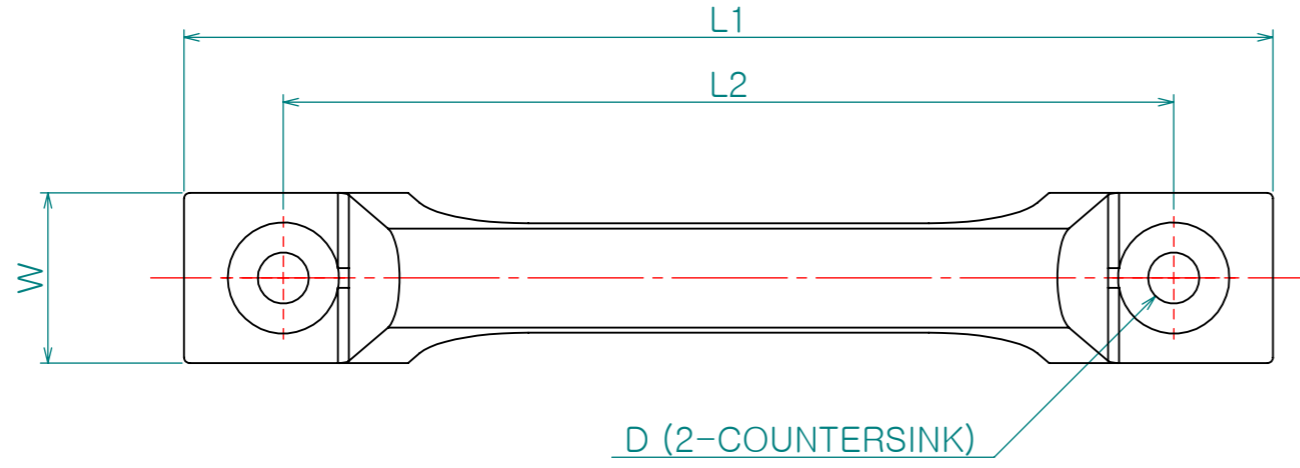


Dwg. No.



Re. No.	DESCRIPTION	DATE	DS.	CH.	AP.
△					
△					
△					



제품명	L1	L2	W	H1	H2	D
CA-1003-1	96	78.5	15	20	4.2	M4
CA-1003-2	133	113	20	27	5	M4
CA-1003-3	159	139	22	31	6	M5
CA-1003-4	198	170	24.5	36	6	M5

Note

- 특징 :
- 용도 :

Dimension (mm)	Precision	Material	Dwg. No.	QTY
0.5~3	±0.05	STS주조	Part Name. 구조핸들	*EA
3~6		Finish		Weight
6~30	±0.1	광택연마	Ass'y Name	-
30~120	±0.15	Revision	**	Scale
120~315	±0.2	-	Sheet Size A3	1.5:1
315~1000	±0.3	Date	Designed by	Model No. CA-1003
1000~2000	±0.5	2010-07-09	Shin S H	
KS B 0412에 준함		Checked by	Approved by	